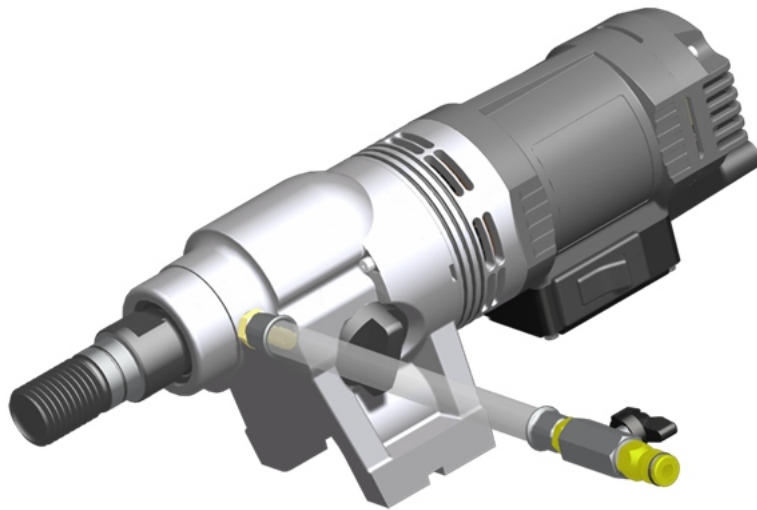




---

## DB26

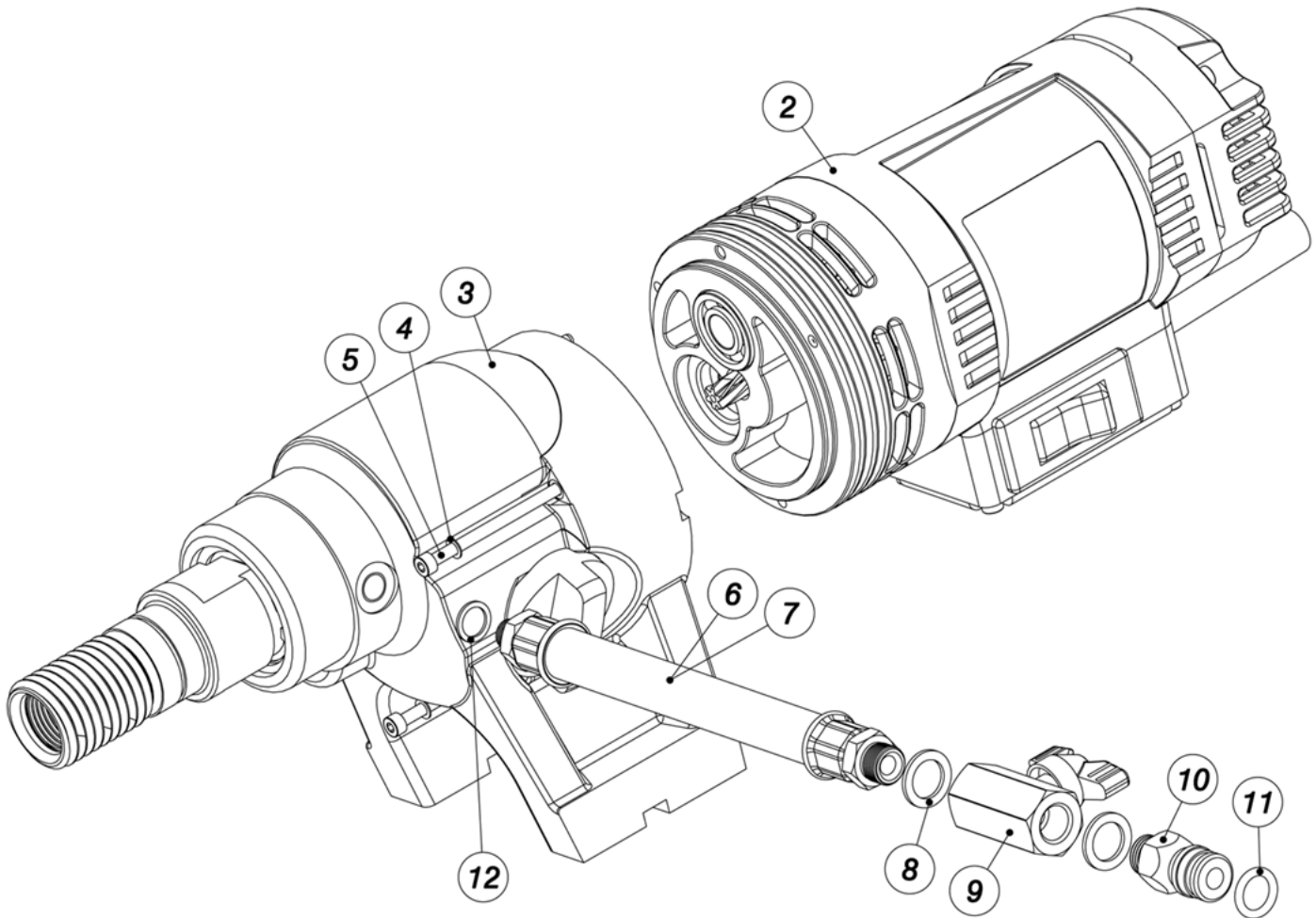
### Parts Breakdown / *Diagramme de Pièces*



---

All rights reserved

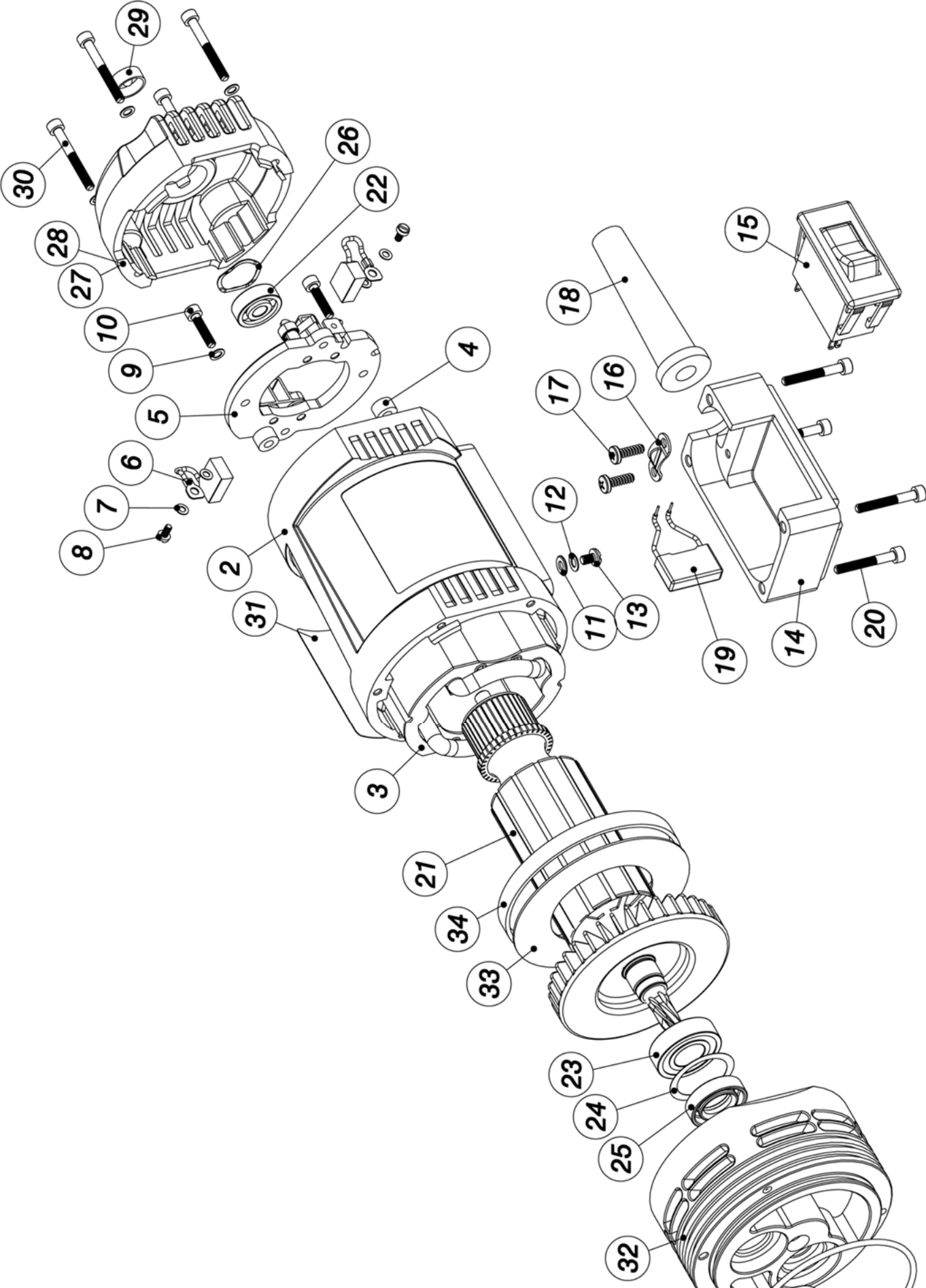
# Machine complete, DB26



Item	Art. No.	Description	No.
1	201216	Stone drilling machine complete	1
2	201242	Motor complete	1
3	302088	Gear complete	1
4	800076	Locking ring	3
5	901358	Hexagon socket head cap screw	3
6	802980	Water connection complete	1 **
7	802981	Hose complete	1
8	800028	Sealing ring	2
9	800023	Ball cock complete	1
10	800020	Slot-in nipple	1
11	800040	O-ring	1
12	800027	Sealing ring	1

Wearing parts\*\*

# Motor complete, DB26

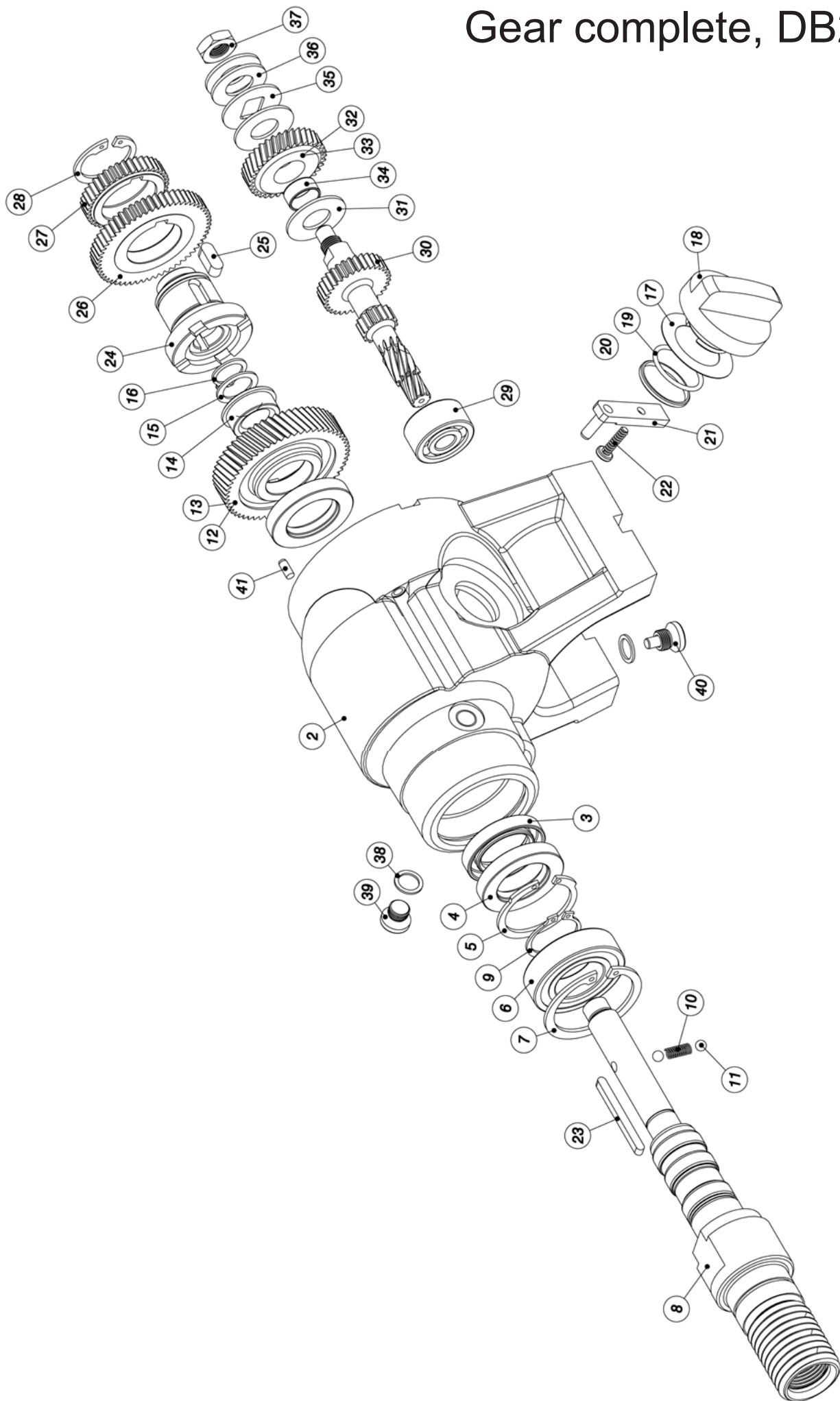


# Motor complete, DB26

Item	Art. No.	Description	No.
1	201242	Motor complete	1
2	200397	Motor casing	1
3	401525	Magnet casing	1
4	402164	Distance bush	2
5	801426	Brush bridge	1
6	801425	Carbon brush	2 **
7	900183	Spring washer	4
8	900407	Cheese-head screw	2
9	800076	Spring washer	6
10	901225	Allen bolt	2
11	900231	Washer	1
12	900181	Wave spring washer	1
13	900412	Flat head screw	1
14	300891	Switch box cover	1
15	801423	Switch controller	1
16	801221	Strain-relief clamp	1
17	900699	Cross recessed pan head tapping screw	2
18	801427	Cable grommet	1 **
19	801220	Interference-suppression capacitor	1
20	900337	Hexagon socket head cap screw	4
21	402167	Armature	1
22	900001	Grooved ball bearings	1 **
23	900483	Grooved ball bearings	1 **
24	801988	Sleeve	1
25	900708	Shaft sealing ring	1 **
26	800266	Ball bearing compensating disc	1
27	401099	Bearing cap complete	1
28	200549	Bearing cap	1
29	800910	Spirit level	1
30	900756	Hexagon socket head cap screw	4
31	801017	Information plate	1
Item	Art. No.	Description	No.
32	201136	Intermediate cover	1
33	401666	Air-flow-plate	1
34	402065	Ring	1
35	900495	Grooved ball bearings	1 **
36	900170	Needle sleeve	1 **
37	800099	O ring	1 **

Wearing parts\*\*

# Gear complete, DB26



# Gear complete, DB26

Item	Art. No.	Description	No.
1	302088	Gear complete	1
2	201109	Gear casing	1
3	900020	Shaft sealing ring	1 **
4	900019	Shaft sealing ring	2 **
5	800001	Locking ring	1 **
6	900000	Grooved ball bearing	1 **
7	800559	Locking ring	1 **
8	301213	Drill spindle complete	1
9	800000	Locking ring	2 **
10	900013	Compression spring	1
11	900014	Ball	2
12	402062	Loose wheel complete	1
13	301953	Control wheel / Loose wheel	1
14	401105	Bearing sleeve	1 **
15	900560	Adjusting washer	1
16	800002	Locking ring	1 **
17	800483	Compensation slice	1
18	100723	Control grip	1
19	801367	O ring	1 **
20	401038	Sleeve	1
21	401036	Switch handle complete	1
22	900623	Cross recessed pan head tapping screw	1
23	900764	Parallel key	1
24	302085	Control connector	1
25	900547	Parallel key	1
26	301954	Control wheel 2	1
27	302135	Control wheel 3	1
28	802813	Locking ring	1 **
29	901319	Grooved ball bearing	1 **
30	302134	Reduction shaft	1
31	400135	Brake disc	2 **
32	302089	Reduction wheel complete	1
33	301947	Reduction wheel	1
34	401041	Bearing sleeve	1 **
35	400137	Compression washer	1
36	900018	Disc spring	2
37	900008	Hexagonal nut	1
38	800027	Sealing ring	3 **
39	800026	Screw plug	1
40	401639	Screw plug complete	1
41	900568	Parallel pin	1
42	801019	Gearbox oil 0,3 l	1 **

Wearing parts\*\*